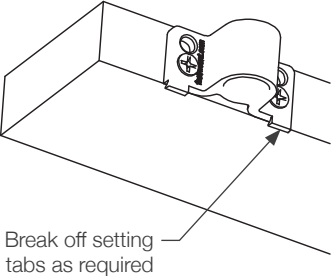
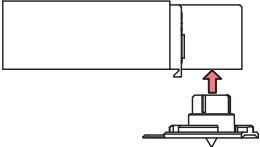
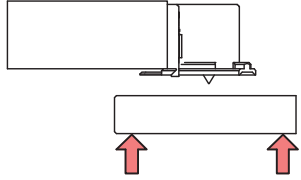
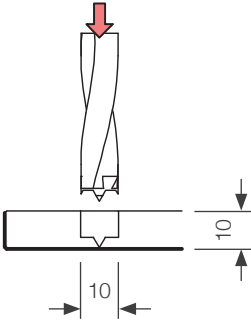
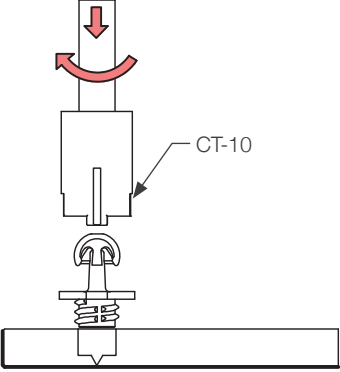
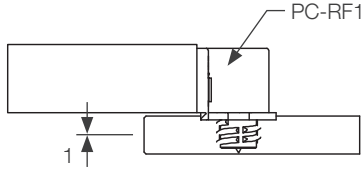


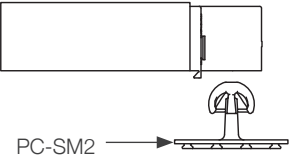
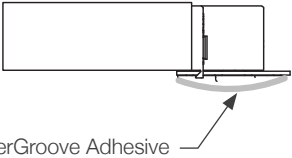
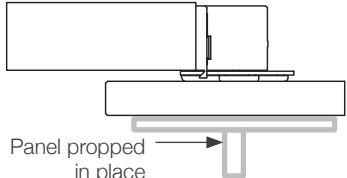
PC-RF1 Side Mount Female

	USE WITH:			INSTALL WITH:		
	PC-M1B 	PC-VM1 	PC-SM2 	CP-01ST 	CT-09 	CT-10 
	PC-M2H 	PC-VMX 	PC-SM2H 			

INSTALLATION STEPS

<p>1 Screw fit PC-RF1 to side of frame</p> 	<p>2 Fit CP-01ST into PC-RF1</p> 	<p>3 Press panel onto CP-01ST to mark</p> 
<p>4 Drill panel on mark with CT-09</p> 	<p>5 Screw fit male clip with CT-10</p> 	<p>6 Panel clipped in place</p> 

OPTION WITH ADHESIVE FIT MALE (COMPLETE 1 ABOVE)

<p>A Clip PC-SM2 into PC-RF1</p> 	<p>B Apply adhesive to PC-SM2</p> 	<p>C Place panel and support while adhesive dries</p> 
---	--	--

MORE INFO: Clip Layout Guide TD-02