

PC-AF1 Autofit Female

INDUSTRY FIT:

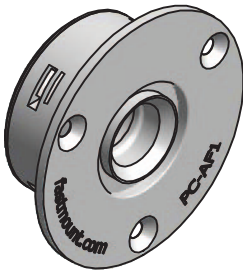


SPECIFICATIONS:

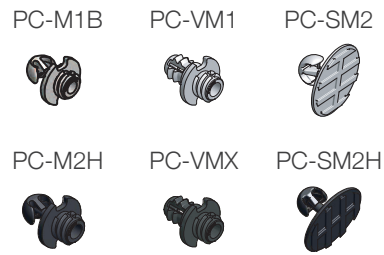
STANDARD RANGE

The Fastmount® multi-award winning system has revolutionized the mounting of panels. Panels can easily be removed and refitted in any sequence time after time.

The Fastmount Autofit PC-AF1 is ideal for applications that require lateral adjustment, such as curved panels. This versatile screw-fixed clip works with all standard range male clip types.



USE WITH:



MATERIAL:

White acetal copolymer

BENEFITS

- Lateral panel adjustment in all directions
- Installation requires no special tools
- Push fit into 35Ø hole
- Several mounting options
- Works with standard range Fastmount clips

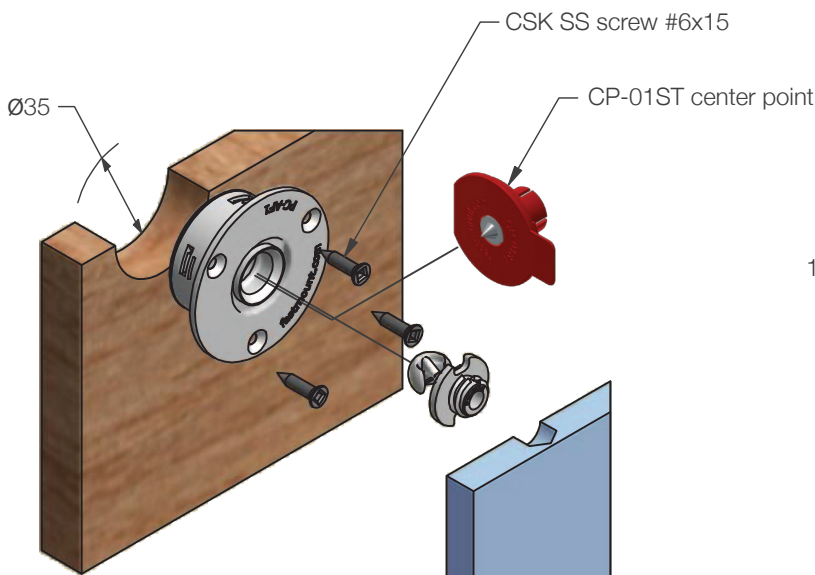
APPLICATIONS

- Complex shaped panels where lateral adjustment is required
- Ceiling, wall and exterior panels
- Mounting of curved panels
- Install into a variety of substrates
- Moulded into hull

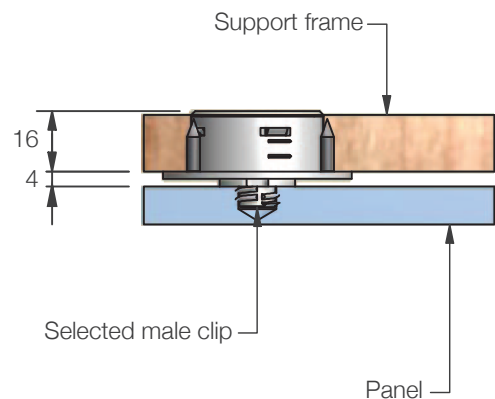
MORE INFO:

Installation Guide IG_PC-AF1
Clip Layout Guide TD-02, 09, 12

INSTALLATION: Partially exploded through section showing typical installation method



Exploded view (1:2)



Typical section (1:2)