

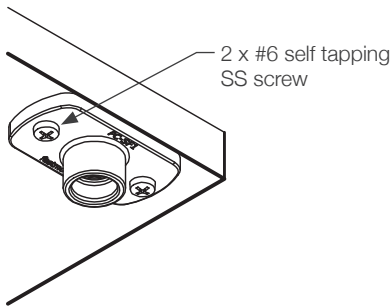
# PC-SF1 Surface Mount Female

(page 1 of 2)

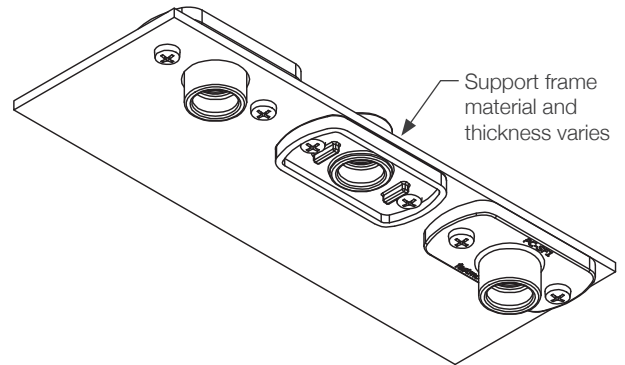
	USE WITH:			INSTALL WITH:
	PC-M1B 	PC-VM1 	PC-SM2 	Screw or rivet
	PC-M2H 	PC-VMX 	PC-SM2H 	

## INSTALLATION STEPS

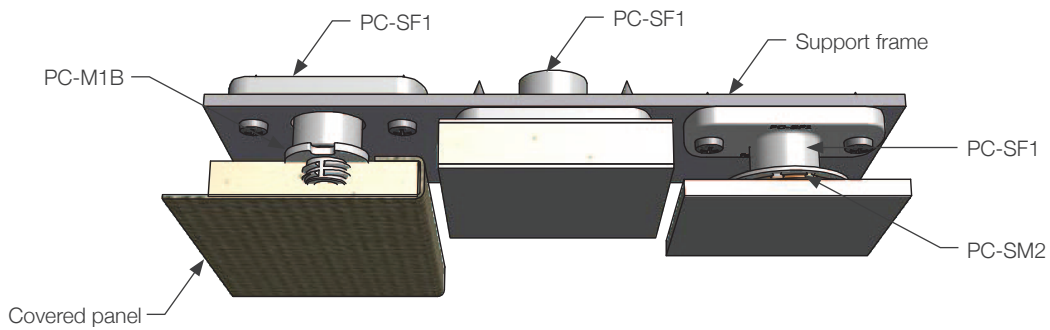
**1** Screw fix PC-SF1 to frame



**2** Options for mounting PC-SF1 to support frame



**3** Options for mounting PC-SF1 to support frame and male clip and panel types



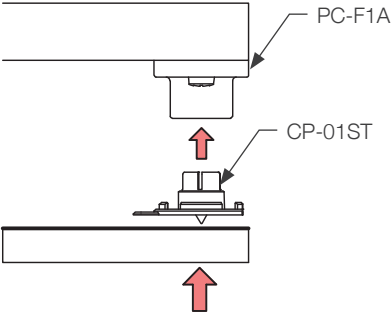
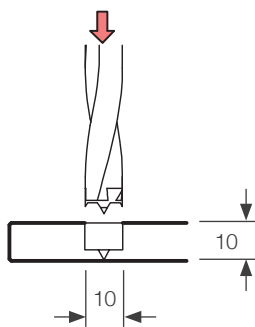
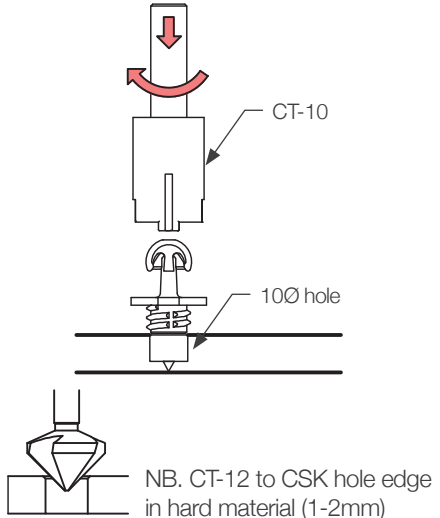
MORE INFO: Clip Layout Guide TD-02

# PC-SF1 Surface Mount Female

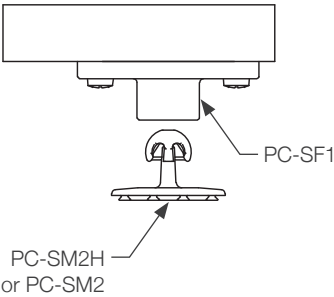
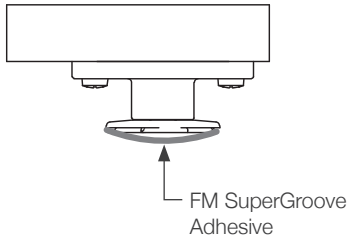
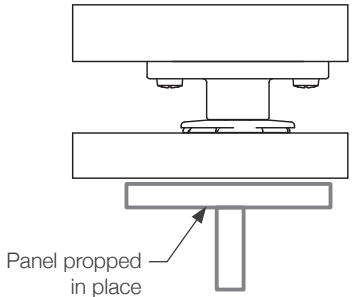
(page 2 of 2)

	USE WITH:			INSTALL WITH:		
	PC-M1B 	PC-VM1 	PC-SM2 	CP-01ST 	CT-09 	CT-10 
	PC-M2H 	PC-VMX 	PC-SM2H 			

## INSTALLATION STEPS

<p><b>1</b> Fit CP-01ST into PC-SF1 then push panel to mark center</p> 	<p><b>2</b> Drill panel on center mark with CT-09 7.5mm deep</p> 	<p><b>3</b> Screw fit male clip with CT-10. Use battery drill with clutch set.</p>  <p>NB. CT-12 to CSK hole edge in hard material (1-2mm)</p>
--	--	--

## INSTALLING ADHESIVE FIT MALE CLIPS (FIRST COMPLETE STEPS 1, PAGE 1)

<p><b>4</b> Clip PC-SM2 into PC-F1</p> 	<p><b>5</b> Apply adhesive to PC-SM2</p> 	<p><b>6</b> Place panel and support while adhesive dries</p> 
--	--	--

MORE INFO: Clip Layout Guide TD-02