

LP-DF8 Self Tapping Coarse Thread Female

INDUSTRY FIT: 

SPECIFICATIONS: (Page 1 of 2)

LOW PROFILE RANGE

The Fastmount® multi-award winning system has revolutionized the mounting of panels. Panels can easily be removed and refitted in any sequence time after time. Available in ranges of interchangeable clips, for different applications.

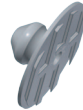
Low Profile clip LP-DF8 is designed for soft core material, self taps into plasterboard (drywall) and is used with male Low Profile clips, centre point and install tools.



USE WITH:

LP-M8A

LP-SM8A



MATERIAL:

White acetal copolymer

MORE INFO:

Installation Guide LP-DF8

Clip Layout Guide TD-02, TD-08

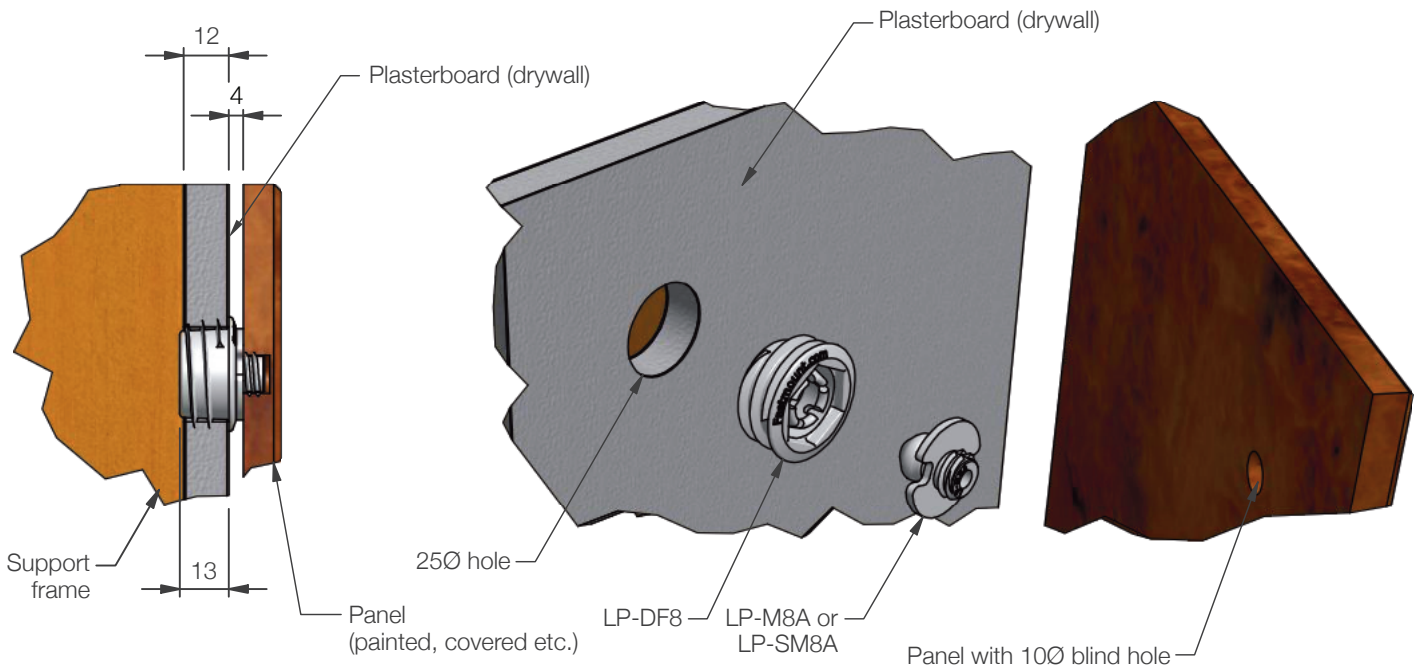
BENEFITS

- Hidden fixing
- Self taps into drywall plasterboard from 10mm thick
- Perfect panel alignment with secure mounting every time
- Remove and refit panels in any sequence multiple times
- 5kg pull out load per clip
- Allows for flexing and expansion of panel

APPLICATIONS

- Suitable for covered or painted and prefinished panels
- Acoustic panels
- Refits and upgrades of existing installations
- Bed heads, artwork

INSTALLATION: Partially exploded through section showing typical installation method



LP-DF8 Self Tapping Coarse Thread Female

INDUSTRY FIT: 

SPECIFICATIONS: (Page 2 of 2)

LOW PROFILE RANGE

The Fastmount® multi-award winning system has revolutionized the mounting of panels. Panels can easily be removed and refitted in any sequence time after time. Available in ranges of interchangeable clips, for different applications.

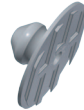
Low Profile clip LP-DF8 designed for soft core material, self taps into plasterboard (drywall) and is used with male Low Profile clips, centre point and install tools.



USE WITH:

LP-M8A

LP-SM8A



MATERIAL:

White acetal copolymer

MORE INFO:

Installation Guide LP-DF8
Clip Layout Guide TD-02, TD-08

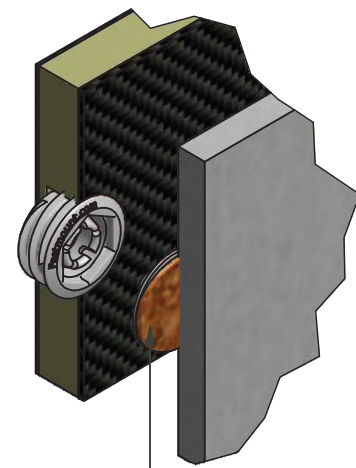
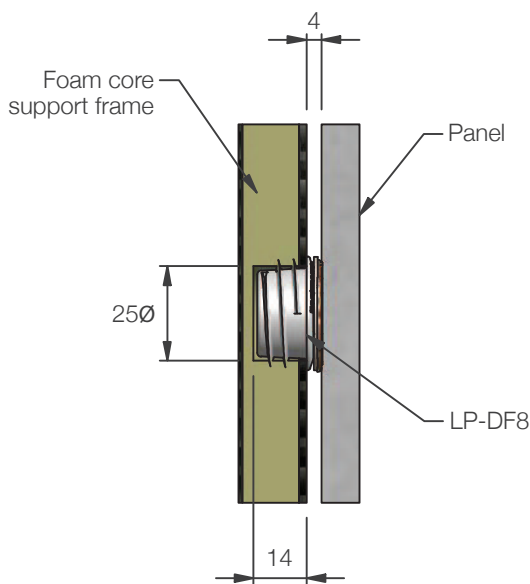
BENEFITS

- Hidden fixing
- Self taps into drywall plasterboard from 10mm thick
- Perfect panel alignment with secure mounting every time
- Remove and refit panels in any sequence multiple times
- 5kg pull out load per clip
- Allows for flexing and expansion of panel

APPLICATIONS

- Suitable for covered or painted and prefinished panels
- Acoustic panels
- Refits and upgrades of existing installations
- Bed heads, artwork

INSTALLATION: Partially exploded through section showing typical installation method



Fastmount SuperGroove Adhesive fixed to panel