






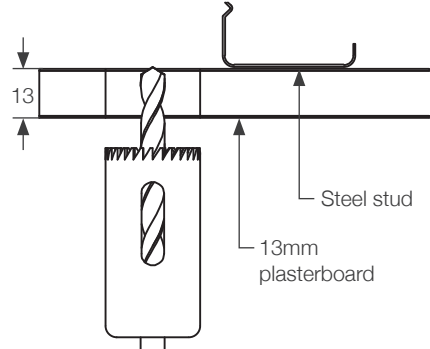
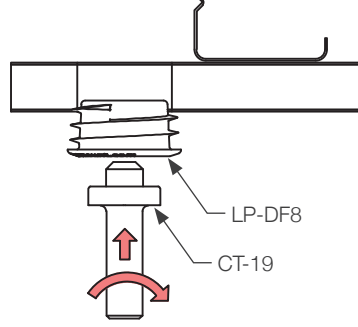
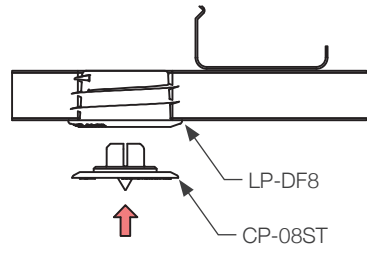
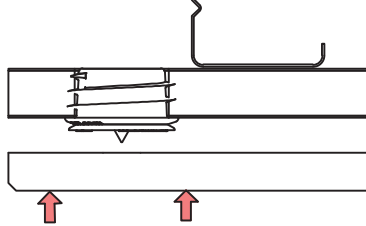
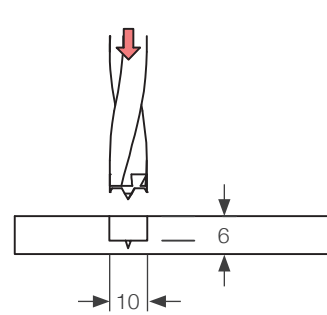
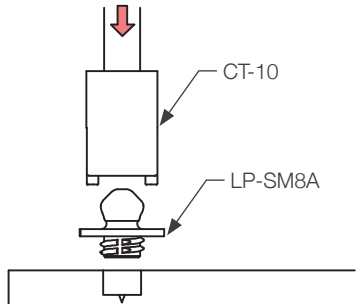
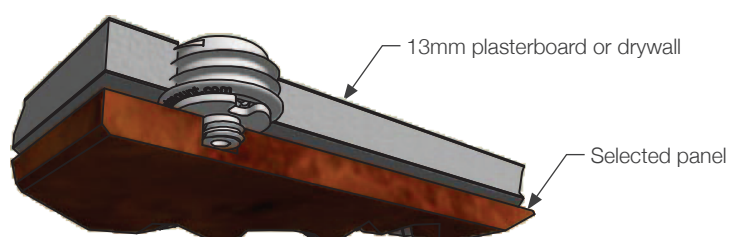
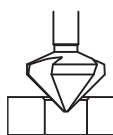


LP-DF8 Low Profile Drywall Self Tapping Coarse Thread Female

	USE WITH:		INSTALL WITH:			
	 LP-M8A	 LP-SM8A	 250 hole saw	 CT-19	 CP-08ST	 CT-09

INSTALLATION STEPS

<p>1 Drill 25Ø hole in drywall plasterboard</p>  <p>13mm plasterboard Steel stud</p>	<p>2 Screw LP-DF8 into drywall. Use battery drill with clutch set, fit only once, do not over tighten</p>  <p>LP-DF8 CT-19</p>	<p>3 Fit CP-08 centre point into LP-DF8</p>  <p>LP-DF8 CP-08ST</p>
<p>4 Press panel onto CP-08 to mark</p> 	<p>5 Drill panel on mark with CT-09</p>  <p>10 6</p>	<p>6 Screw fit LP-M8A with CT-10. Use battery drill with clutch set.</p>  <p>CT-10 LP-SM8A</p>
<p>A Cutaway view of installed clip</p>  <p>13mm plasterboard or drywall Selected panel</p>		 <p>NB. CT-12 to CSK hole edge in hard material (1-2mm)</p>